

MaxGard® Interconnection Systems

60 Amp Standard Service

** If receptacle is desired with a Straight Adapter instead of standard Angle Adapter, substitute "S" for the "A" in the catalog number of the Receptacle with Angle Adapter or Adapter and Box.

† Standard cable bushings shown; see **page 34** for other sizes available at no extra cost if specified on order.

†† Always furnished with screw collar. We recommend cup cap with male plug; order catalog number DS6CC.

Maximum lug wire 4 AWG 7-strand or flexible, cable entrance .302" diameter.

Receptacles furnished with flap cap also have screw thread to accept male collar on plug.

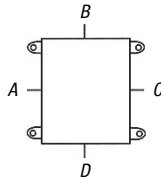
Catalog numbers shown are for flap cap receptacles; change "DF" to "DS" for ordering screw cap.

Boldface figures are for voltage assignment. For different ratings, see **page 40**.

Outlet furnished at location "B" unless otherwise specified. 1½" NPT.

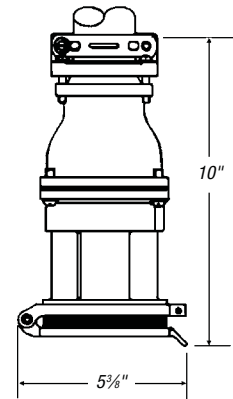
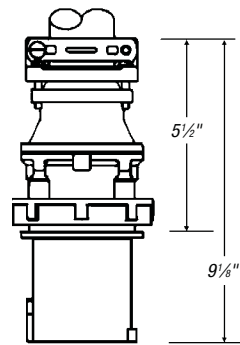
▼ **Control contacts for plug/receptacles:**
Use "K" where noted. Ex: DS6104MP00K

For Adapters, Junction Boxes and Accessories, see **pages 34–37**.



Male Plug††

Female Connector



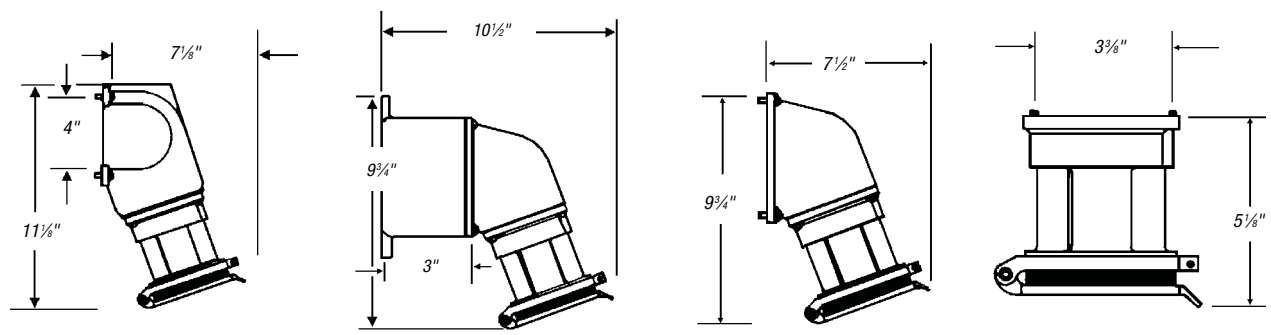
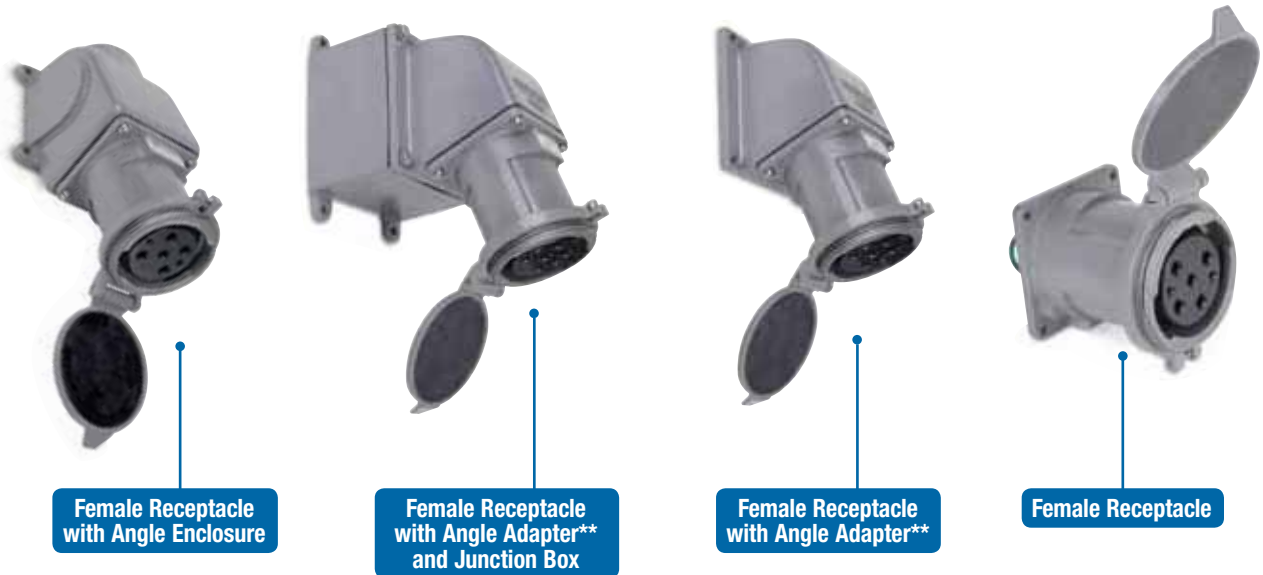
Device Ratings and Polarizations

Maximum 600VAC or 250VDC

(For full polarization, see **page 40**)

POLE	WIRE	CONDUCTOR PLACEMENT	VOLTAGE 60 HZ	CAT. NO.	STANDARD BUSHING I.D. †	CAT. NO.	STANDARD BUSHING I.D. †
2	3		277	DS6104MP000	1 3/16"	DF6104FP000	1 3/16"
			125	DS6107MP000		DF6107FP000	
2	3		480	DS6204MP000	1 3/16"	DF6204FP000	1 3/16"
			250	DS6207MP000		DF6207FP000	
			600	DS6214MP000		DF6214FP000	
			208	DS6216MP000		DF6216FP000	
3	4		277/480	DS6304MP000	1 3/16"	DF6304FP000	1 3/16"
			125/250	DS6307MP000		DF6307FP000	
			120/208	DS6316MP000		DF6316FP000	
3	4		3Ø 480	DS6404MP000	1 3/16"	DF6404FP000	1 3/16"
			3Ø 250	DS6407MP000		DF6407FP000	
			3Ø 600	DS6414MP000		DF6414FP000	
			3Ø 208	DS6416MP000		DF6416FP000	
			3Ø 440	DS6421MP000		DF6421FP000	
4	5		3ØY 277/480	DS6504MP000	1 1/2"	DF6504FP000	1 1/2"
			3ØY 347/600	DS6514MP000		DF6514FP000	
			3ØY 110/208	DS6516MP000		DF6516FP000	
			3ØY 250/440	DS6521MP000		DF6521FP000	

MaxGard® Interconnection Systems



CAT. NO.	CAT. NO.	CAT. NO.	CAT. NO.
DF6104FR0E0	DF6104FRAB0	DF6104FRA00	DF6104FR000
DF6107FR0E0	DF6107FRAB0	DF6107FRA00	DF6107FR000
DF6204FR0E0	DF6204FRAB0	DF6204FRA00	DF6204FR000
DF6207FR0E0	DF6207FRAB0	DF6207FRA00	DF6207FR000
DF6214FR0E0	DF6214FRAB0	DF6214FRA00	DF6214FR000
DF6216FR0E0	DF6216FRAB0	DF6216FRA00	DF6216FR000
DF6304FR0E0	DF6304FRAB0	DF6304FRA00	DF6304FR000
DF6307FR0E0	DF6307FRAB0	DF6307FRA00	DF6307FR000
DF6316FR0E0	DF6316FRAB0	DF6316FRA00	DF6316FR000
DF6404FR0E0	DF6404FRAB0	DF6404FRA00	DF6404FR000
DF6407FR0E0	DF6407FRAB0	DF6407FRA00	DF6407FR000
DF6414FR0E0	DF6414FRAB0	DF6414FRA00	DF6414FR000
DF6416FR0E0	DF6416FRAB0	DF6416FRA00	DF6416FR000
DF6421FR0E0	DF6421FRAB0	DF6421FRA00	DF6421FR000
DF6504FR0E0	DF6504FRAB0	DF6504FRA00	DF6504FR000
DF6514FR0E0	DF6514FRAB0	DF6514FRA00	DF6514FR000
DF6516FR0E0	DF6516FRAB0	DF6516FRA00	DF6516FR000
DF6521FR0E0	DF6521FRAB0	DF6521FRA00	DF6521FR000